

DALI LINK

PS-DALILINK-USB-REG



white, Part No. 93189

Product Information

- DALI power supply with integrated USB interface for DIN-rail mounting
- For example, 45 DALI luminaires and 10 DALI LINK control devices (multi-sensors or push-button interfaces) can be connected to the power supply.
- Integrated application controller for addressing up to 64 DALI components
- Seamless integration in B.E.G. LUXOMAT® net DALISYS
- Update function via integrated keypad and USB interface
- Integrated LEDs for visualisation of operating information
- Full range of functions can only be activated with other products of the product group B.E.G. LUXOMAT® net DALI LINK

Technical Data

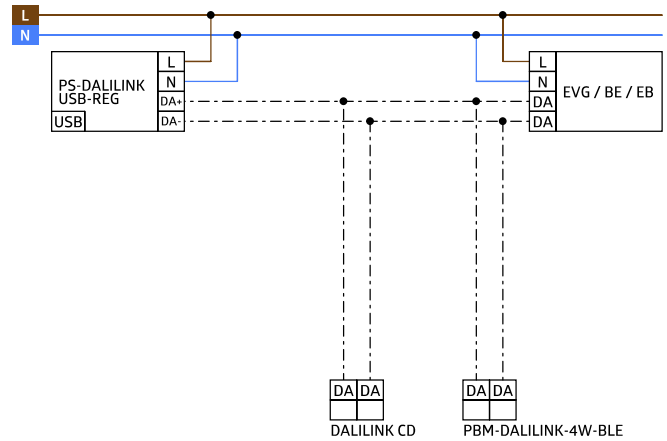
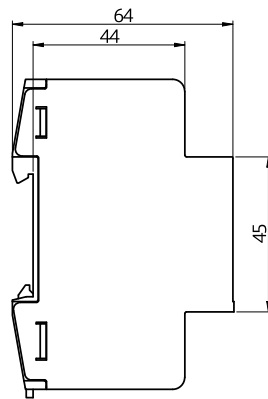
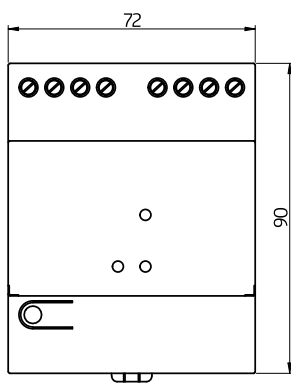
Voltage:	230 V AC -15%/+10% 50 / 60 Hz
Dimensions:	(4 TE) 90 x 72 x 64 mm
Settings:	with Firmware update function button, B.E.G. PC Tools
Output voltage:	16 V DC
Power consumption:	6 W
Degree / class of protection:	IP20 / Class II
Ambient temperature:	+5 °C to +45 °C
Housing:	Polyamide, UV-resistant

Connections and wires: USB

Nominal current (max.): 210 mA

Description

Description	Colour	Part number	EAN number
PS-DALILINK-USB-REG	white	93189	4007529931897



Dimensions 93189

Wiring diagramms