

hokal

Office luminaire



With microprisms successfully
to the next level


Made in Germany

REGIOLUX

- New lighting technology with microprism diffuser
- Suitable for VDU workstations, omnidirectional glare reduction according to current DIN-EN 12464-1 standard
- DALI - also for IoT

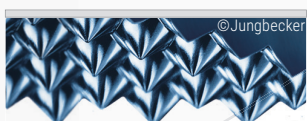
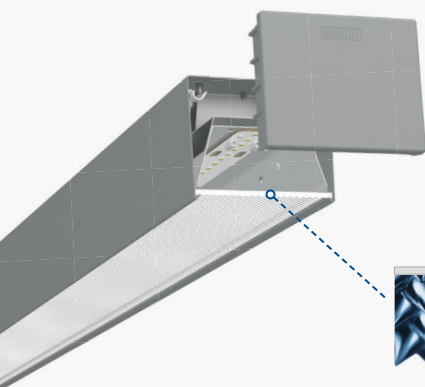


Lighting solution

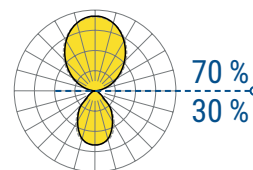
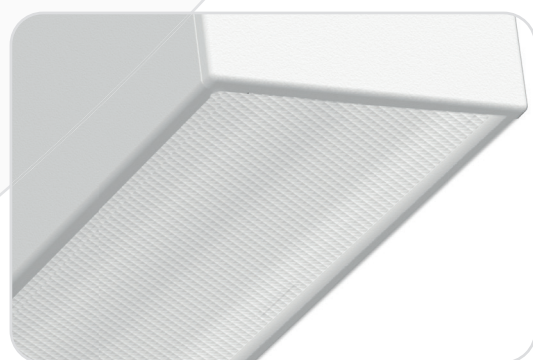
Elegant office luminaire
LED 50000h L80/B10
Efficiency up to 140 lm/W
1200 + 1500 mm

Quality product design

Single and continuous row luminaire
Homogeneous illumination
Gentle frame in a new design
Integrated driver
5 years warranty



Multi-layered lighting technology
Forward-scattering diffuser film
+ conical glare reduction microprisms
are a guarantee for UGR 13
and thus for the most demanding visual tasks

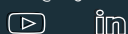


| | |
|-----------------|-----------------|
| HLHIMP/1200 LED | |
| 6000lm 840 | |
| η_{L80} | 100 % |
| lm/W | 140 |
| direct/indirect | 32/68 % |
| UGR lat./long. | 12,1/12,5 |
| VDU | 65° < 3000cd/m² |



www.regiolux.de

Regiolux GmbH
Hellinger Straße 3
97486 Königshausen
T +49 9525 89 0
info@regiolux.de



hokal-HLHIMP

